

# ATOM 2000-1000 DISINFECTION

## Engine

### ATOM 2000

4 cylinders – 3000 cc  
80 kW @ 2600 rpm  
420 Nm @ 1100 rpm

### ATOM 1000

4 cylinders – 3000 cc  
54.5 kW @ 2600 rpm  
280 Nm @ 1100 rpm

## Chassis

Advanced High Strength Steel, deep hot galvanization.  
ROPS.  
Stainless steel back bumper and engine covers.

## Cab

Cab body in reinforced fiberglass.  
Pressurized cab, Category 4 protection level.  
Cab air filter Category 4, specific for the use with disinfecting chemicals.  
Pneumatic seat.  
Air conditioning, heating.  
Cab also available with top extension, which increases cab inside vertical room.  
Higher seat position increases driving comfort.

## Controls

Joystick for forward/reverse and speed control.  
Box with remote control switches for nozzles sections and electric pressure adjustment.  
Digital display for tank level and working pressure.  
7" color display for multiple cameras IR.

## Tank

Reinforced fiberglass tank with inside protective layer.  
Capacity ATOM 2000: 2000 litres.  
Capacity ATOM 1000: 1000 litres.  
Inside baffle anti-rolling.  
Flush tank. Hand wash tank.  
Also available Stainless Steel tank.

## Transmission

4 wheel drive and steer.  
Continuous hydrostatic heavy-duty transmission.  
Mechanical heavy duty axles.

## Spray equipment

Chemicals diaphragm pump with brass heads and manifolds.  
Special diaphragms for the use with disinfecting chemicals.  
160 – 220 l/min | 50 bar  
Hydraulic low pressure tank mixture agitation system, to minimize foam production.  
Double filtering system: suction filter + in-line pressure filters.  
Nozzles sections remote controls with electric valves and electric pressure regulation.  
Floor-wash system with special adjustable cone nozzles.  
Hand gun + S/S hose reel with 30 meters hose for manual spraying in small spaces and utility rooms.  
Wheels wash system with special nozzles to quick disinfect all wheels.

## Nozzles

4 independent nozzles sections.  
Double no-drip nozzles.  
Adjustable cone nozzles.

## Dimensions

ATOM	2000	1000
Length [cm]	559 - 569	503
Height [cm]	138 - 150	150
Width outside tires [cm]	171 - 198	171 - 184
Width outside machine (max) [cm]	174	160
Steering radius max [cm]	401	342
Tires	10.0/75-15.3	31x15.50-15

# ATOM

## 2000-1000 DISINFECTION



SELF-PROPELLED SPRAYER  
2000 - 1000 LITRES  
FOR DISINFECTION OPERATIONS



ANDREOLI ENGINEERING Srl

Via prov.le Modena, 68/B - 41016 Novi di Modena (MO) - ITALY  
Tel +39 (0)59 670164 - Fax +39 (0)59 677027  
www.andreoliengineering.it - www.andreoliengineering.com



Ci riserviamo il diritto di modificare i nostri modelli e le loro caratteristiche senza preavviso / Characteristics and descriptions are indicative and not binding / Nous nous reservons le droit de modifier nos modeles et leur caracteristiques sans preavis

# ATOM

## 2000-1000 DISINFECTION

ATOM DISINFECTION is a self-propelled sprayer for the professional management of disinfecting spraying operations. ATOM ensures high performances and total driver safety during disinfecting operations. Thanks to its compact dimensions and maneuverability, ATOM safely performs spraying operations even in very low sheds and within limited operating space.

- ATOM DISINFECTION main features are:
- Compact dimensions
  - Very low profile (down to 138 cm cab included)
  - Powerful blower system
  - Cab with Category 4 top level protection
  - Specific air filters against disinfecting chemicals
  - Very good driving comfort



ATOM 2000 DISINFECTION, tank capacity 2000 litres:



ATOM 1000 DISINFECTION, tank capacity 1000 litres:



ATOM DISINFECTION can be equipped with a stainless steel AISI 316 tank.



Pressurized cab, protection level Category 4.  
Air filtering system Category 4 compliant.  
Special cab air filter for the use with disinfecting chemicals.

Air conditioning and heating. Automatic climate control.

Joystick with remote control switches for nozzles.  
Electric remote control for pressure adjustment.

Digital display tank level and spray pressure.  
7" color display with IR back cameras.

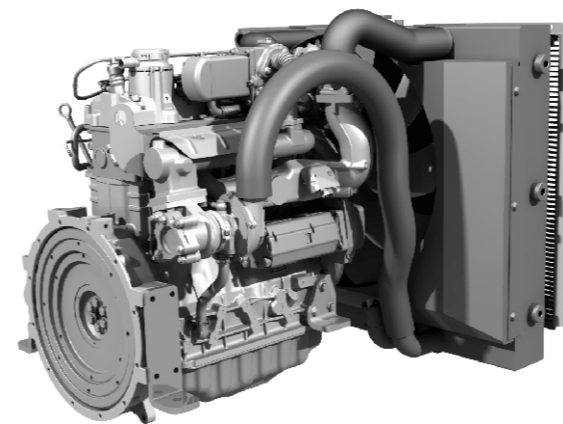


Cab is also available with top extension, which increases cab inside vertical room.  
Higher seat position increases driving comfort.  
Cab with top extension also has an extra back mirror to keep back nozzles under control.



ATOM 1000 DISINFECTION can be easily loaded on simple trucks towed by standard vehicles for transport.

New diesel engines with electronic management.  
Continuous hydrostatic transmission.  
4 speed ranges on ATOM 2000.  
2 speed ranges on ATOM 1000.  
3 modes hydraulic steering: 2 WS, 4 WS, crab.



ATOM DISINFECTION is equipped with VAC blower system, specifically designed for disinfecting operations.  
VAC blower drives the airflow with maximum power vertically, thus ensuring an effective spraying of roof.



VAC ensures a powerful and even coverage of floor, walls and roof in a single pass, thus reducing working time.



ATOM low profile allows safe spraying under drinkers, feeders and low structures.



ATOM DISINFECTION is equipped with groups of specific nozzles for disinfecting operations.

**FLOOR-WASH SYSTEM**  
This system has special adjustable cone nozzles.  
It ensures an effective washing of the floor.



**HAND GUN + HOSE REEL SYSTEM**  
This system has a hand gun and a stainless steel hose reel with about 30 meters hose.  
It allows manual spraying in very small spaces and utility rooms.



**WHEELS-WASH SYSTEM**  
This system has specific nozzles for wheels washing and an electric valve remote controlled from the cab.  
It allows the quick disinfection of all wheels.



**CHEMICALS SUCTION SYSTEM**  
With its Venturi injector, this system allows chemicals suction and direct tank filling.  
The system stays inside the tank.  
Equipped with quick plug for connection of 3 meters hose.